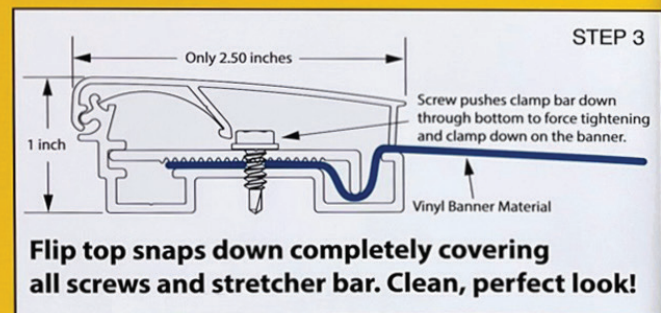
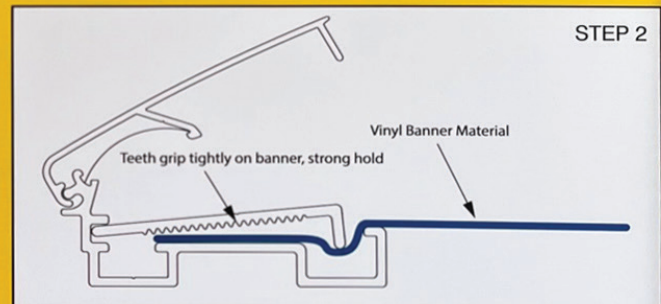
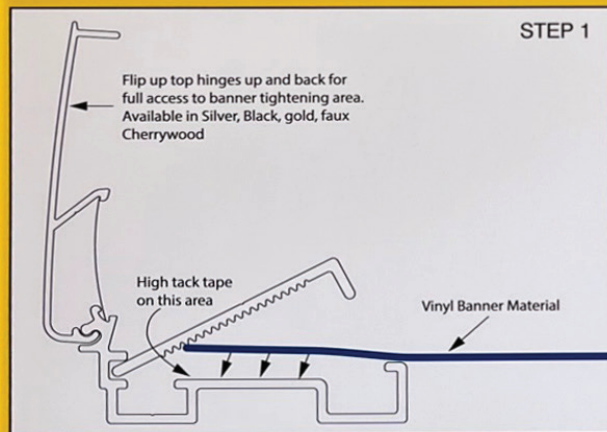


Introducing Banner GripFlip™



Amazing new flip up frame that stretches any size vinyl banner within the frame, and the tops snap down to cover the banner edges. There are no visible external screws, and the profile is only 2.5 inches wide!

Create large and beautifully, drum-tight stretched vinyl banner displays!



Patents Pending. All Rights Reserved.

All 4 frame sides flipped down to cover all the stretcher bars and screws. Drum tight and beautifully displayed! No visible screws. Indoor or outdoor use.

Call or email us. Intelligent, informed staff will answer right away (no computers answering phones). We get you the answers and pricing fast.

Alpina Manufacturing

Patents Pending • Copyright 2023 • All Rights Strictly Enforced

6460 W. Cortland Street • Chicago, IL 60707

Tel: 1-800-915-2828 • Local Tel: 1-773-202-8887

sales@fastchangeframes.com

fastchangeframes.com • bannerflip.com



American Owned



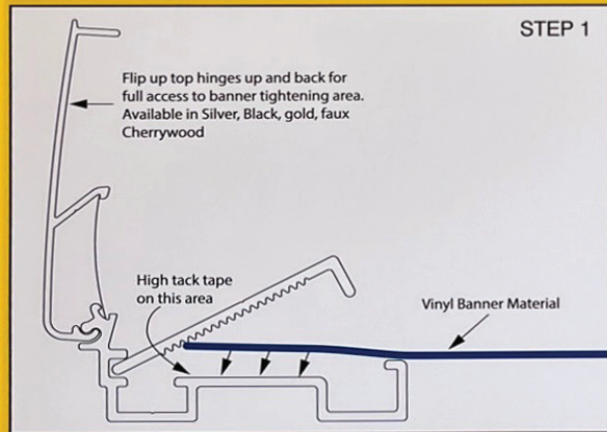
American Made

Introducing Banner GripFlip™

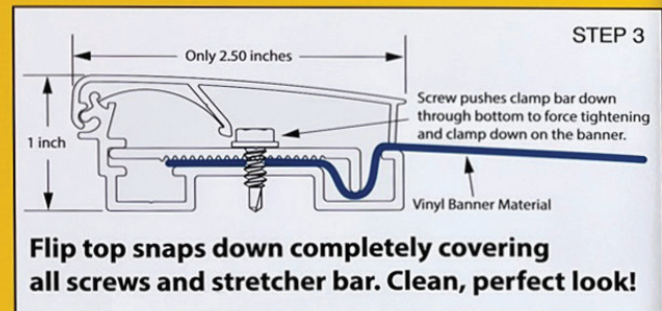
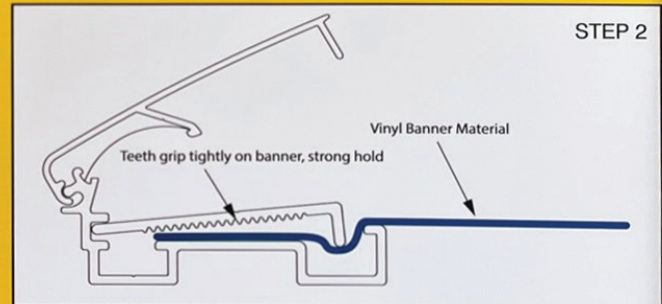


Amazing new flip up frame that stretches any size vinyl banner within the frame, and the tops snap down to cover the banner edges. There are no visible external screws, and the profile is only 2.5 inches wide!

Create large and beautifully, drum-tight stretched vinyl banner displays!



Patents Pending. All Rights Reserved.



All 4 frame sides flipped down to cover all the stretcher bars and screws. Drum tight and beautifully displayed! No visible screws. Indoor or outdoor use.

Contact:

Patents Pending • Copyright 2023 • All Rights Strictly Enforced

